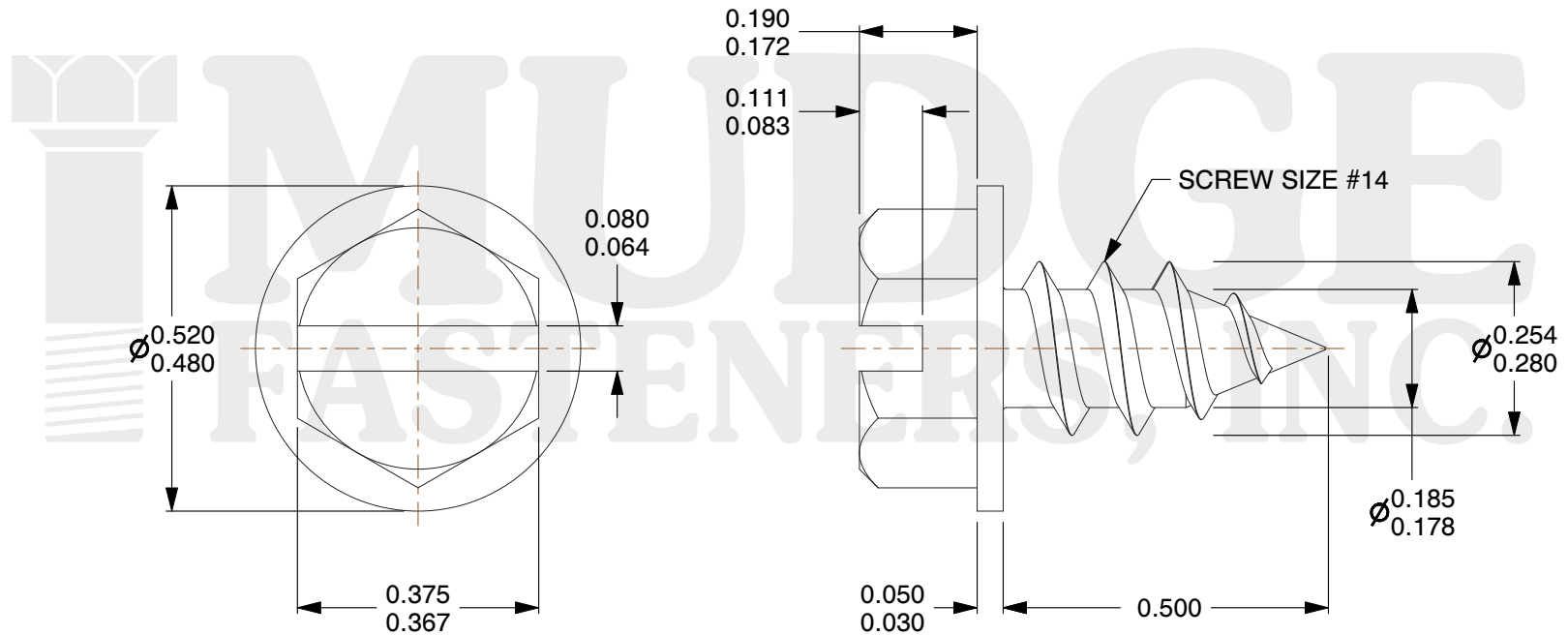
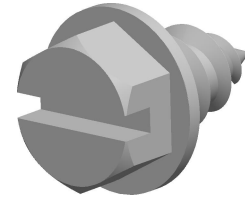


**Notes :**

1. HEAD STYLE: HEX WASHER HEAD
2. DRIVE STYLE: SLOT
3. THREAD TYPE: TYPE A
4. MATERIAL: STAINLESS STEEL 316
5. STANDARD: ANSI B18.6.4



[www.mudgefasteners.com](http://www.mudgefasteners.com)

This file and any associated information and specifications are provided for reference and evaluation purposes only and are subject to change without notice. Mudge Fasteners makes no representations, warranties, or guarantees as to the appropriateness, accuracy, completeness, or suitability for any purpose of the file, information, or specification. You are solely responsible for the use of the file, information, and specifications.

This drawing is the property of Mudge Fasteners. It contains confidential proprietary information that is Mudge Fasteners property. Do not disclose to or duplicate for others except as authorized by Mudge Fasteners.

COMPONENT DESCRIPTION	#14X1-1/2 SL. HWH SMS W/SEALING WASHER *316* STAINLESS STAINLESS STEEL	UNIT
		INCH
		SHEET
		1 of 1
PART NUMBER	111S14A150SS316	SCALE
MATERIAL	316 STAINLESS STEEL	3.500